

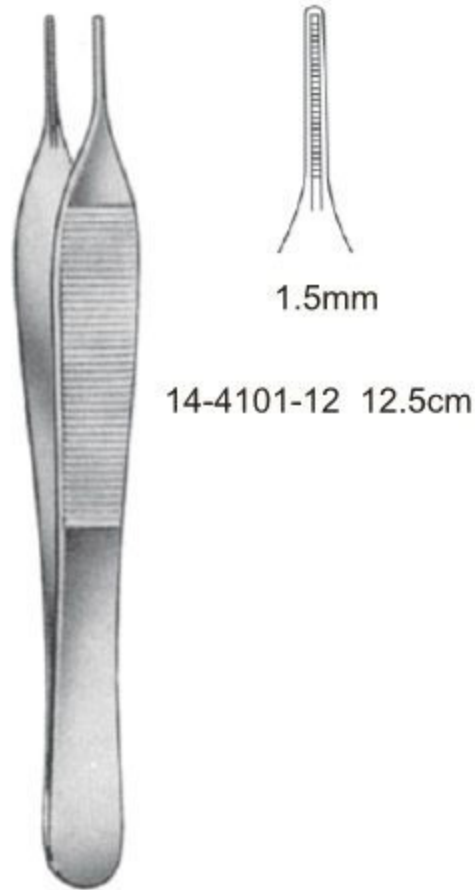


- EN** Cardiovascular Surgery
- DE** Herz- und Gefäßchirurgie
- ES** Cirugía cardiovascular

Page 318 to 357



- EN —● Atrauma Tissue Forceps
- DE —● Atrauma Pinzetten
- ES —● Pinzas de disección Atrauma



14-4101-12 12.5cm

DEBAKEY-ADSON



14-4102-15 15.0cm
14-4102-18 18.0cm

DEBAKEY-GERALD



1.0mm



1.2mm

14-4103-15 15.0cm
14-4103-18 18.0cm
14-4103-24 24.0cm



1.0mm

14-4104-18 18.0cm

DEBAKEY-CUSHING



1.0mm

1.5mm

14-4105-15 15.0cm 14-4106-15
14-4105-19 19.0cm 14-4106-19
14-4105-24 24.0cm 14-4106-24

DEBAKEY-DIETRICH

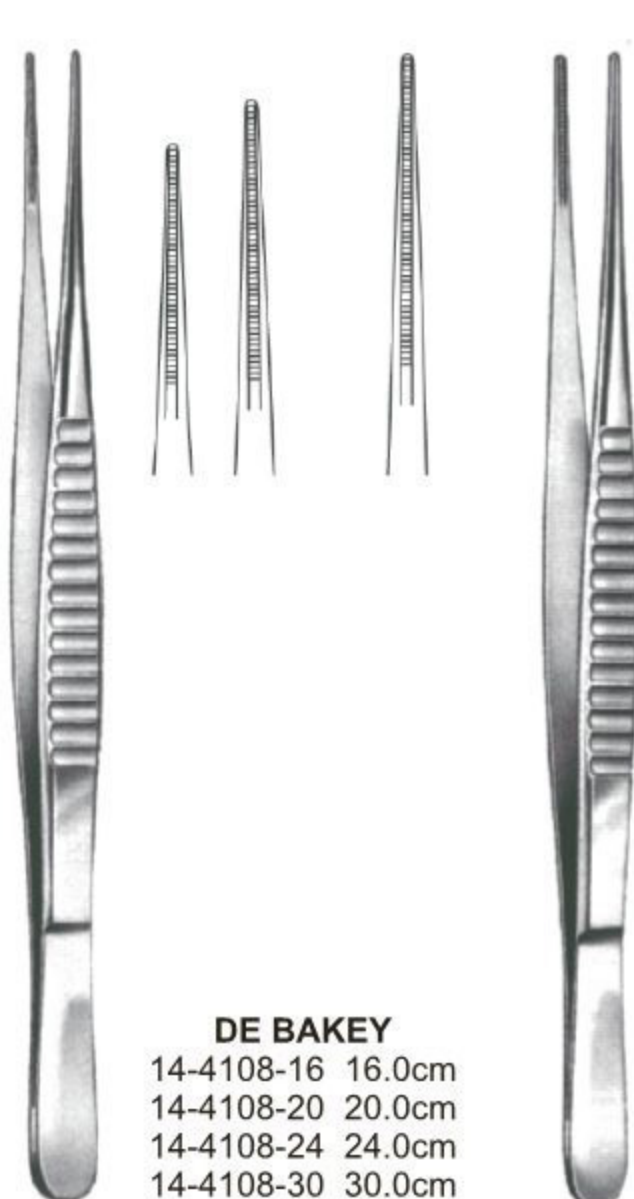


1.0mm

14-4107-15 15.0cm
14-4107-19 19.0cm
14-4107-24 24.0cm

DEBAKEY-LIGHT

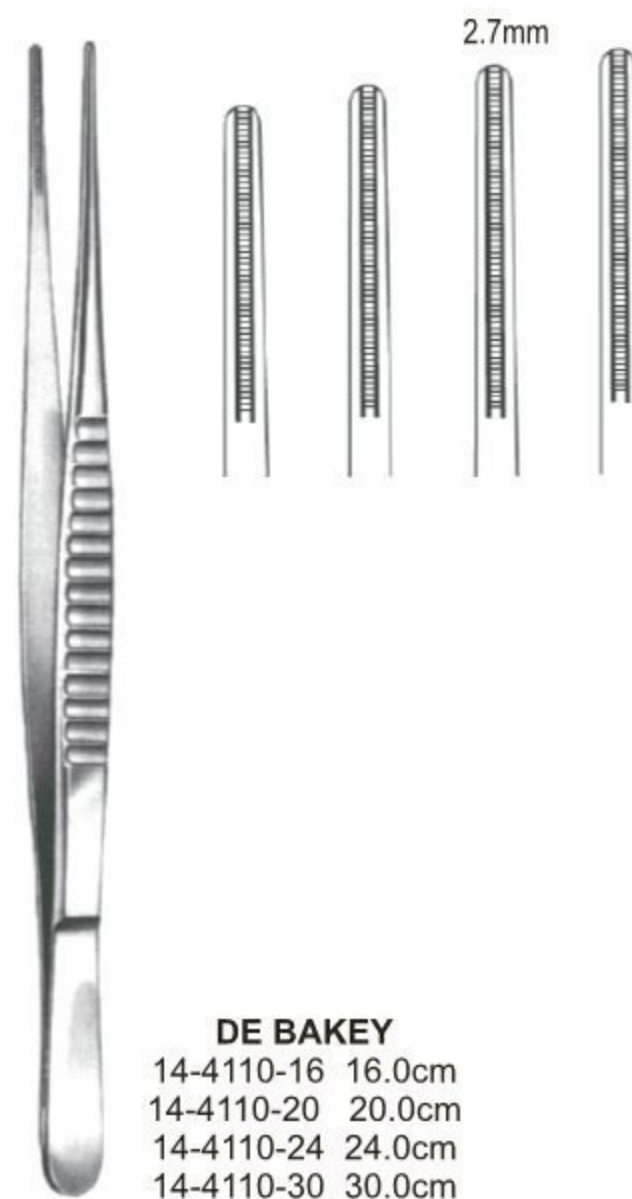
Atrauma Tissue Forceps ●— EN
 Atrauma Pinzetten ●— DE
 Pinzas de disección Atrauma ●— ES



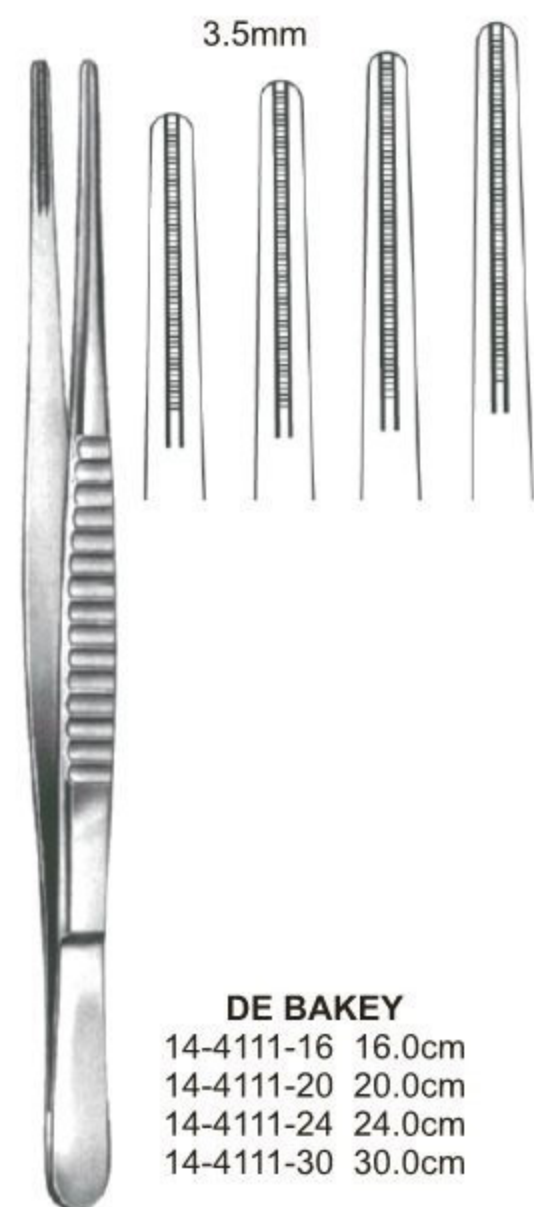
DE BAKEY
 14-4108-16 16.0cm
 14-4108-20 20.0cm
 14-4108-24 24.0cm
 14-4108-30 30.0cm



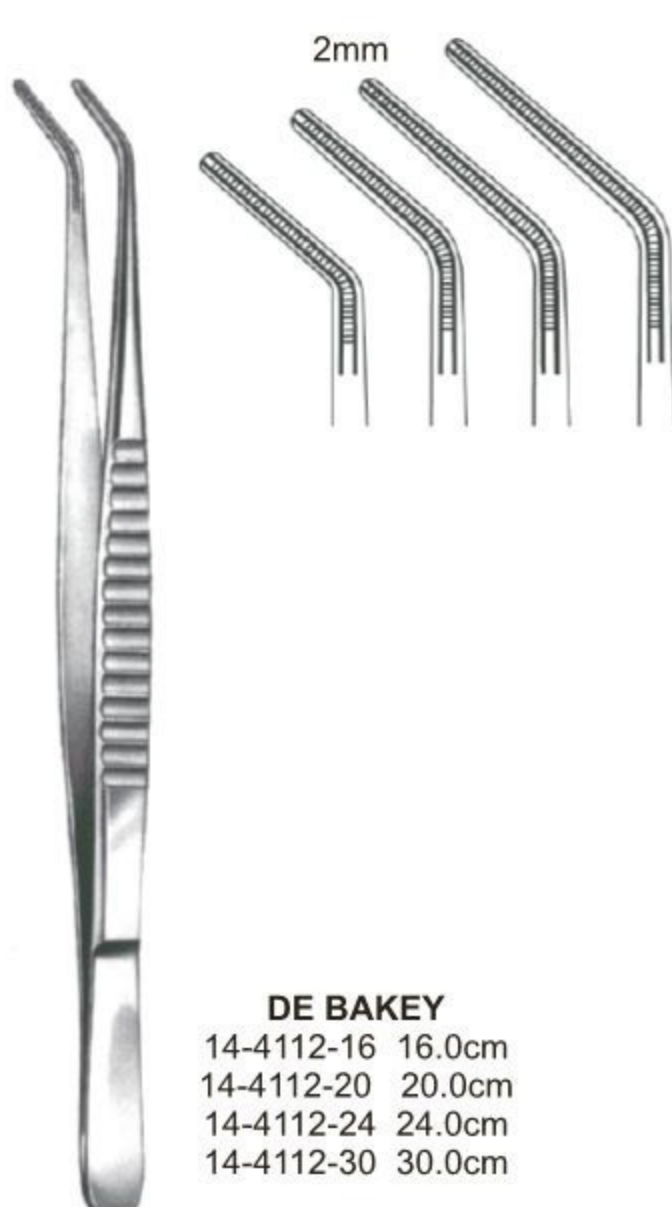
DE BAKEY
 14-4109-16 16.0cm
 14-4109-20 20.0cm
 14-4109-24 24.0cm
 14-4109-30 30.0cm



DE BAKEY
 14-4110-16 16.0cm
 14-4110-20 20.0cm
 14-4110-24 24.0cm
 14-4110-30 30.0cm



DE BAKEY
 14-4111-16 16.0cm
 14-4111-20 20.0cm
 14-4111-24 24.0cm
 14-4111-30 30.0cm

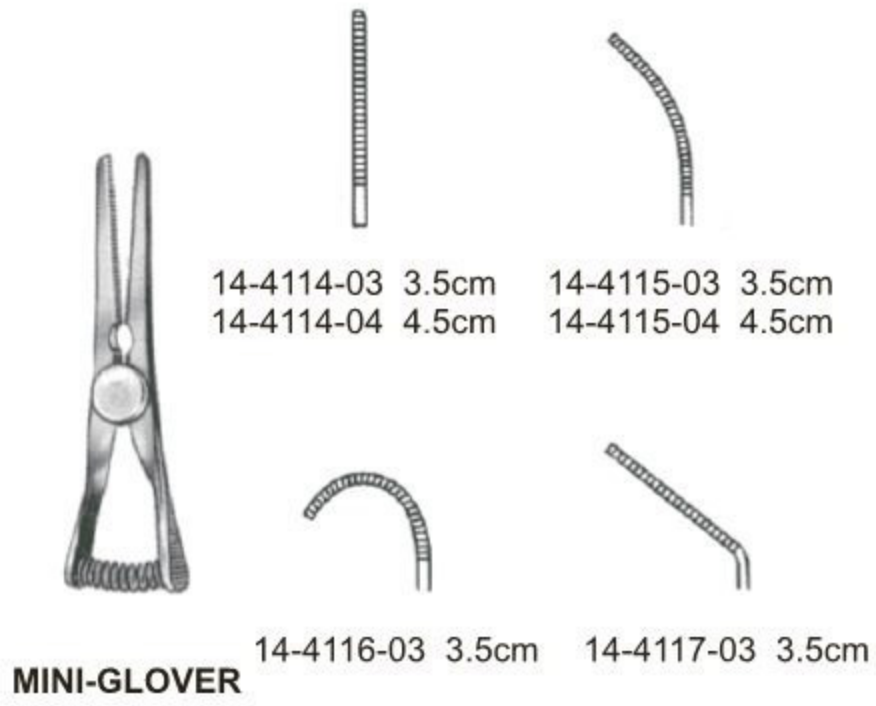


DE BAKEY
 14-4112-16 16.0cm
 14-4112-20 20.0cm
 14-4112-24 24.0cm
 14-4112-30 30.0cm

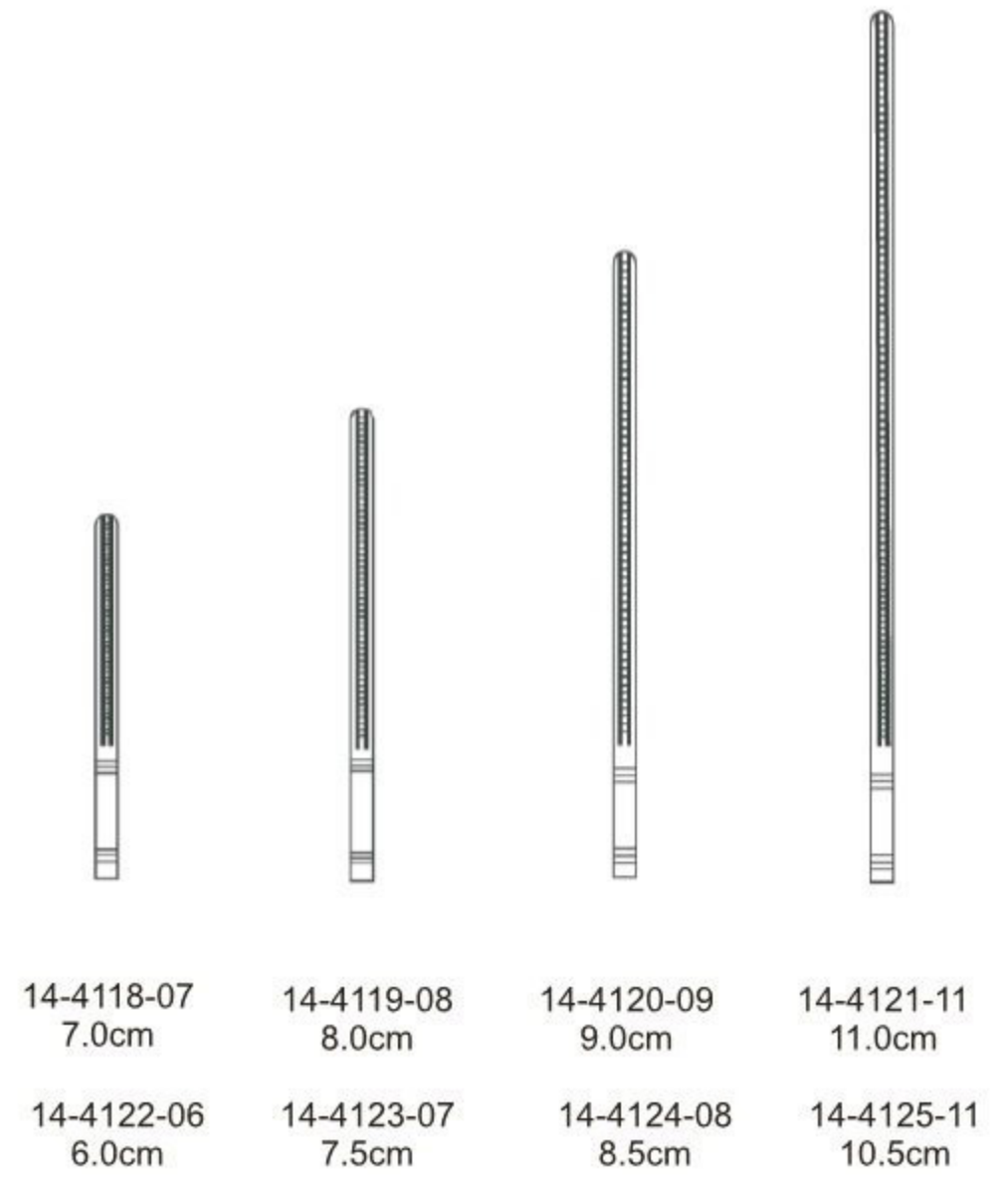


DE BAKEY
 14-4114-16 16.0cm
 14-4114-20 20.0cm
 14-4114-24 24.0cm
 14-4114-30 30.0cm

- EN —● Atrauma Bulldog Clamps
- DE —● Atrauma Bulldogklemmen
- ES —● Atrauma Clamps Bulldog



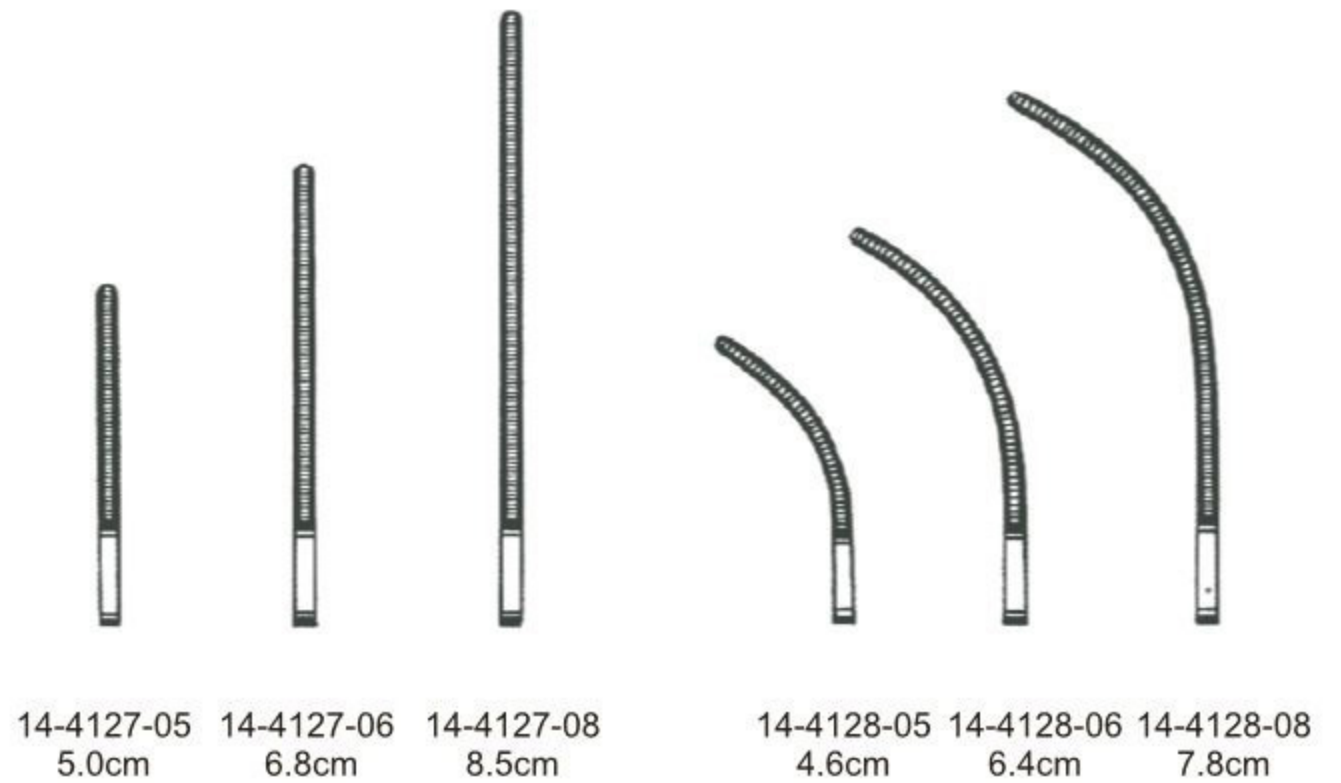
GLOVER



GLOVER
14-4126-05 5.0cm



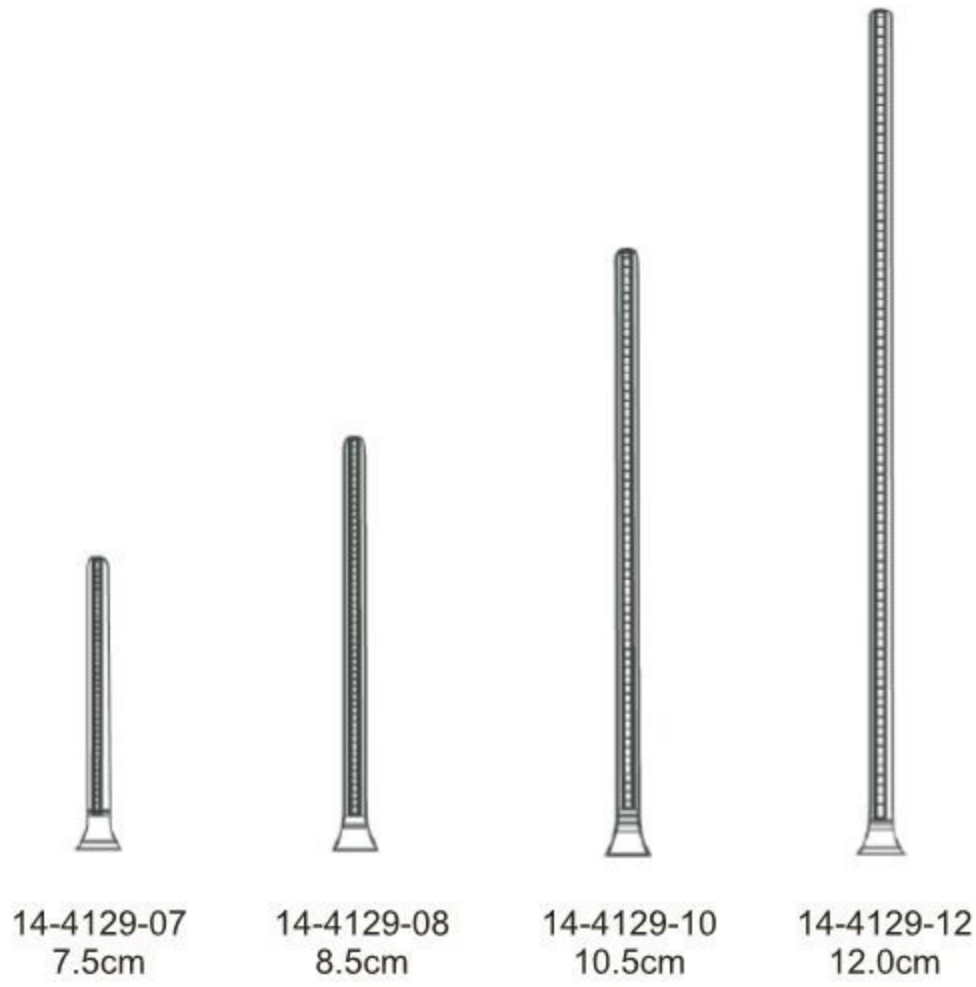
GLOVER (DELICATE)



- Atrauma Bulldog Clamps ●— EN
- Atrauma Bulldogklemmen ●— DE
- Atrauma Clamps Bulldog ●— ES



DE BAKEY



14-4129-07
7.5cm

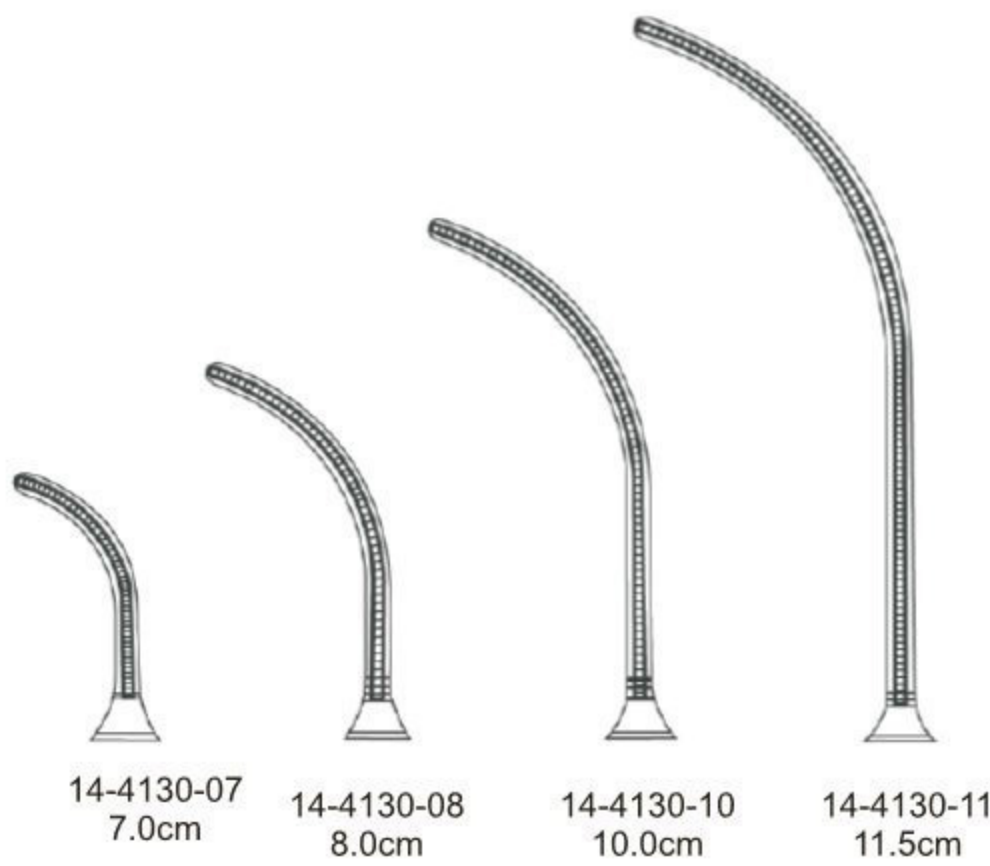
14-4129-08
8.5cm

14-4129-10
10.5cm

14-4129-12
12.0cm



DE BAKEY



14-4130-07
7.0cm

14-4130-08
8.0cm

14-4130-10
10.0cm

14-4130-11
11.5cm

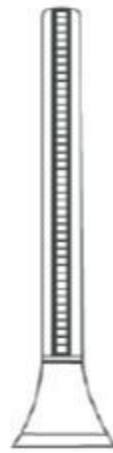


14-4131-23 23.0cm

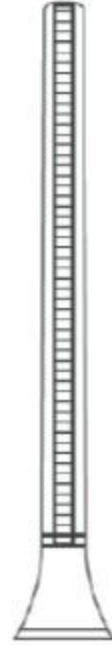
- EN —● Atrauma Bulldog Clamps
- DE —● Atrauma Bulldogklemmen
- ES —● Atrauma Clamps Bulldog



GREGORY SOFT



14-4132-09
9.0cm



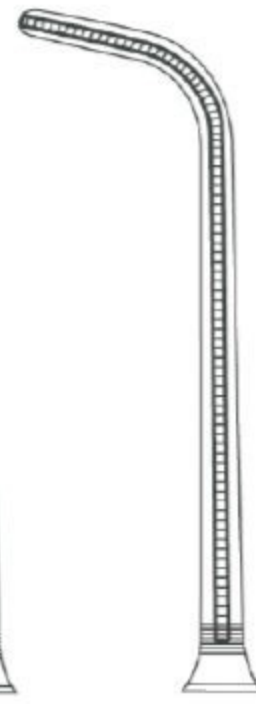
14-4132-11
11.0cm



GREGORY SOFT



14-4133-09
9.0cm



14-4133-11
11.0cm



GREGORY SOFT
11.0cm



14-4134-01



14-4134-02



SANTULLI
14-4135-07 7.0cm

- Atrauma Bulldog Clamps ●— EN
- Atrauma Bulldogklemmen ●— DE
- Atrauma Clamps Bulldog ●— ES



DE BAKEY-SATINSKY
14-4136-07 7.0cm



DE BAKEY-SATINSKY
14-4137-10 10.0cm



DE BAKEY-CAROTIS
14-4138-09 9.0cm

- EN —● Atrauma Cardiovascular Forceps
- DE —● Atrauma cardiovascular-klemmen
- ES —● Atrauma pinzas-clamps cardiovasculares



De Bakey

Coarctation Clamps



Potts
(De Bakey)



14-4139-21
21 cm/8¼"



14-4139-22
22 cm/8¾"



Potts
(De Bakey)



14-4140-21
21 cm/8¼"



14-4140-22
22 cm/8¾"



De Bakey

Anastomosis Clamps



Potts



14-4141-21
21 cm/8¼"



14-4141-22
22 cm/8¾"



Glover
(Potts)



14-4142-21
21 cm/8¼"

14-4142-22
22 cm/8¼"

Dissecting and
Ligature Forceps



De Bakey



14-4143-20
20 cm/8"



14-4143-24
24 cm/9½"



De Bakey



14-4144-20
20 cm/8"



14-4144-18
18 cm/7½"



De Bakey



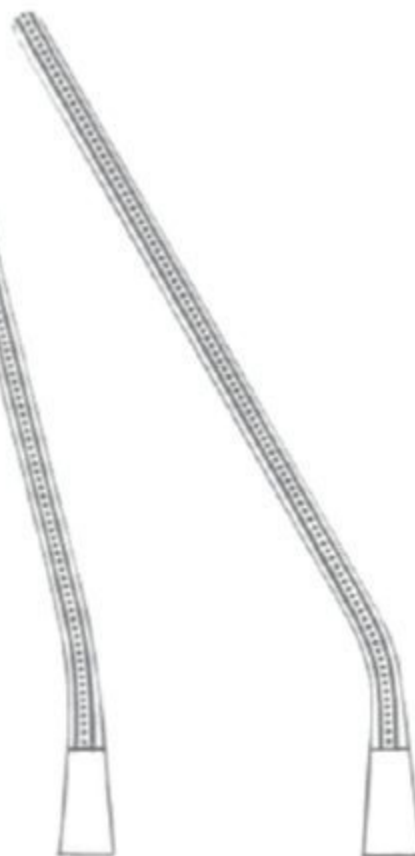
Leland-Jones



14-4145-01
19.5 cm/7½"



14-4145-02
19.5 cm/7½"



14-4145-03
19.5 cm/7½"



Leland-Jones
14-4146-18
18 cm/7"



Aortic Aneurysm Clamps



De Bakey



De Bakey



14-4147-24
24 cm/9½"



14-4147-27
27 cm/10½"



14-4147-31
31 cm/12¼"



14-4147-33
33.5 cm/13¼"



De Bakey-Bainbirdge



14-4148-15
15 cm/6"



14-4148-18
18 cm/7"



14-4148-15
15 cm/6"



14-4148-18
18 cm/7"



De Bakey
14-4149-20
20 cm/8"



De Bakey

Aortic Aneurysm Clamps



De Bakey
14-4150-28
28 cm/11"

14-4151-30
30 cm/12"



De Bakey

Aortic Clamps



Ochsner
14-4152-23
23.5 cm/9¼"



Dietrich
14-4153-21
21 cm/8¼"



De Bakey



14-4154-01
24 cm/9½"



14-4155-02
24 cm/9½"

Auricle Clamp



Harken



14-4156-03
24 cm/9½"

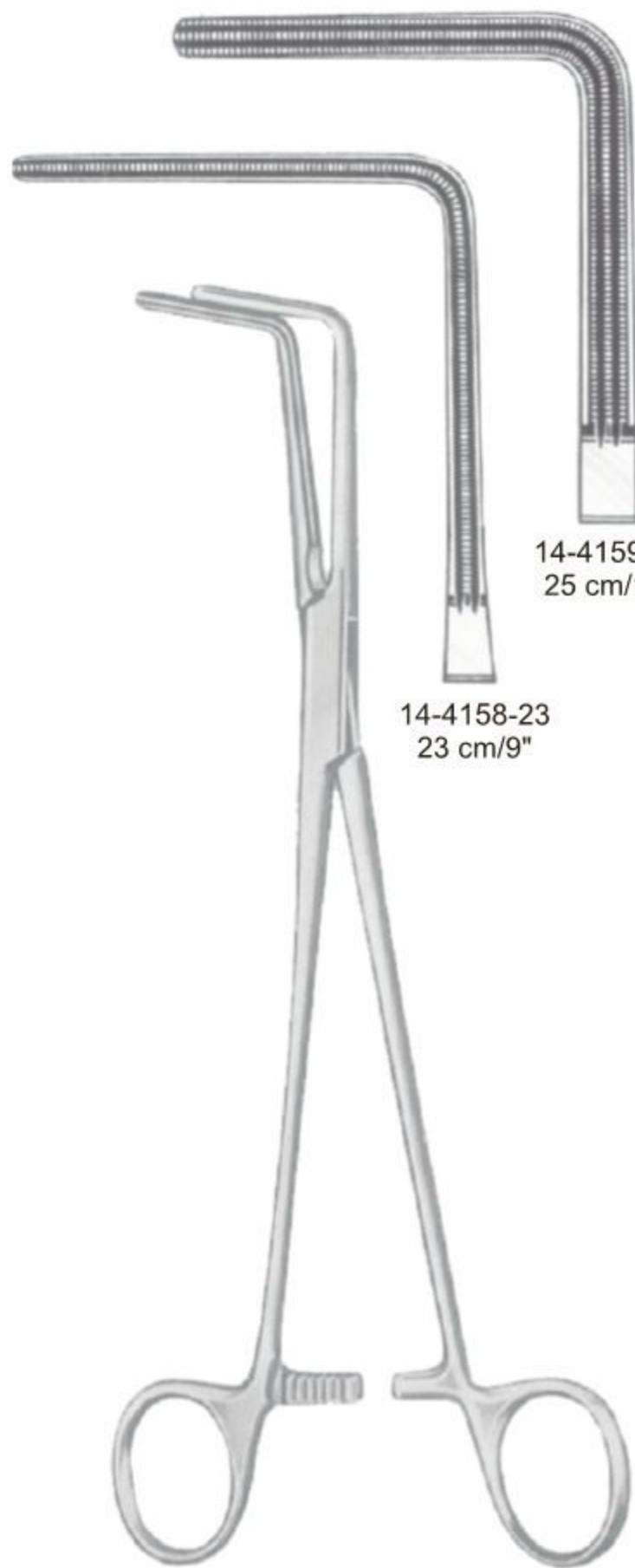


14-4157-04
24 cm/9½"



De Bakey

Bronchus Clamps



Lees

14-4158-23
23 cm/9"

14-4159-25
25 cm/10"

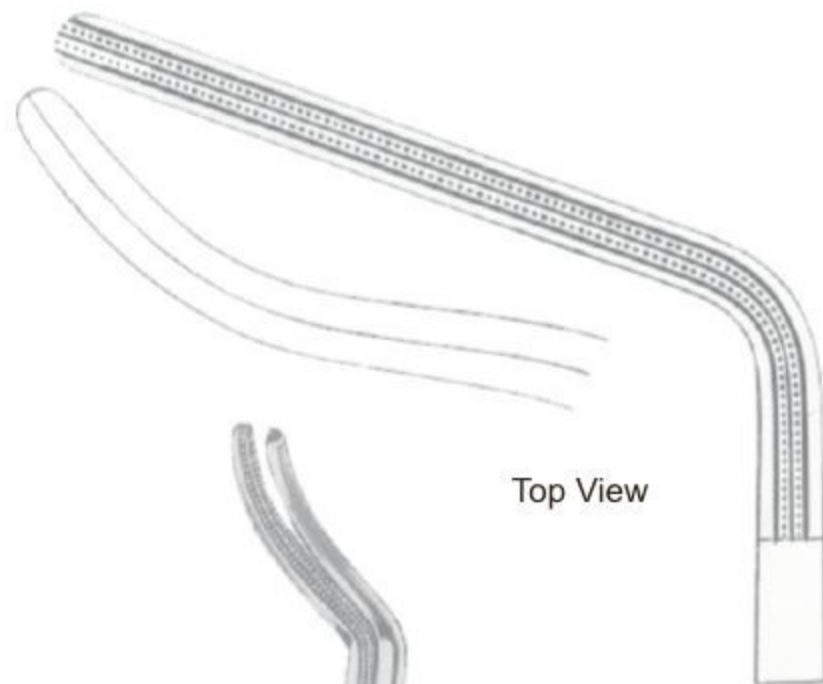


Lees
14-4160-25
25 cm/10"



De Bakey

Aortic Clamp



Top View



De Bakey
 14-4161-27
 27 cm/10½"



De Bakey
 14-4162-24
 24 cm/9½"

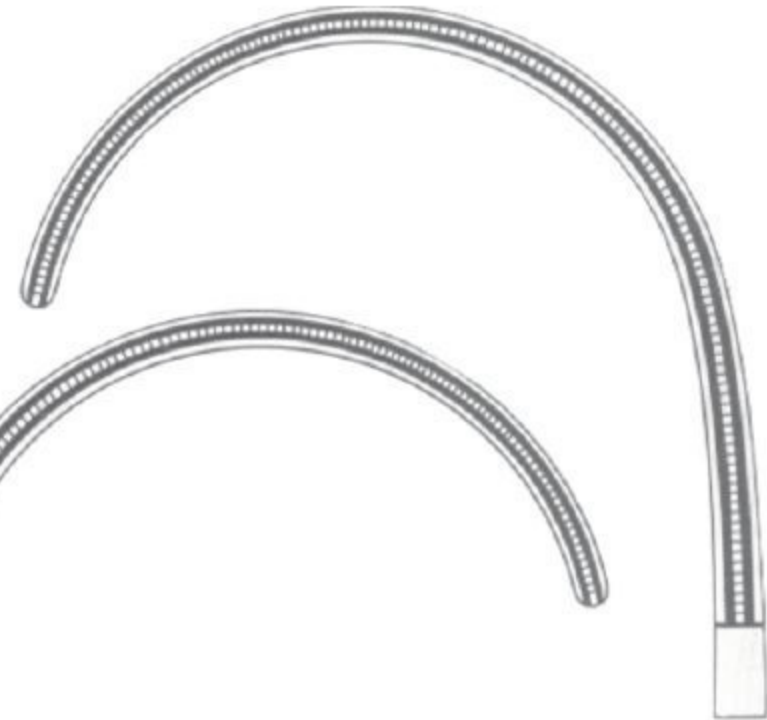
Ligature Clamps



De Bakey
 14-4163-24
 24 cm/9½"



De Bakey



14-4167-02

14-4166-01

Ligature clamp,
Aortic clamp



De Bakey
14-4165-26
26.5 cm/10½"

De Bakey-Semb
14-4164-25
25 cm/10"



Aortic clamp

Weber
26 cm/10¼"

De Bakey-Semb



Satinsky/De Bakey

Tangential occlusion clamps



De Bakey



Set of 5 purchase.
14-4168-00

14-4168-20
20 cm/8"

14-4168-25
25 cm/10"

14-4168-26
26 cm/10¼"

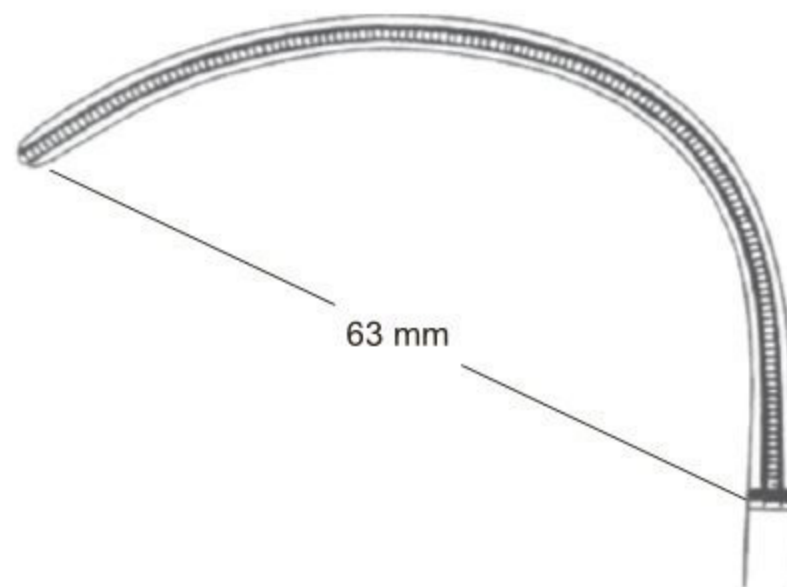
14-4168-27
27 cm/10½"

14-4168-28
28 cm/11"



Glover

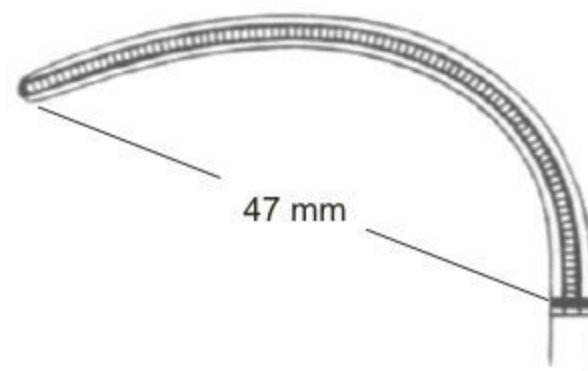
14-4169-01 19.5 cm/7¾"
 14-4169-02 21.0 cm/8¼"



Anastomosis

63 mm

14-4169-01



47 mm

14-4169-02

- EN —● Atrauma Cardiovascular Forceps
- DE —● Atrauma cardiovascular-klemmen
- ES —● Atrauma pinzas-clamps cardiovasculares

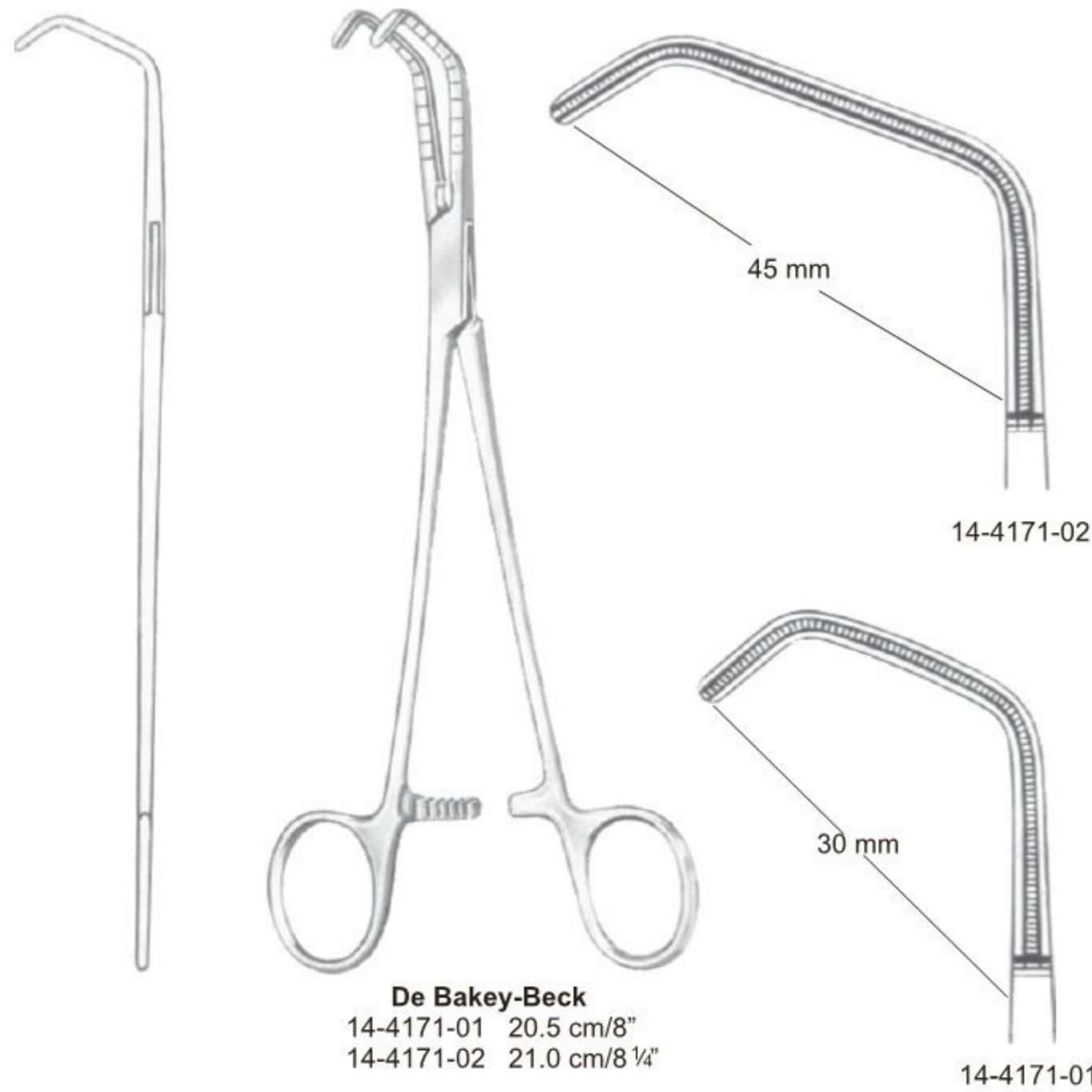


De Bakey



De Bakey
14-4170-16
16 cm/6 1/4"

Graduated



De Bakey-Beck
14-4171-01 20.5 cm/8"
14-4171-02 21.0 cm/8 1/4"



De Bakey



Lambert-Kay
21 cm/8¼"



Aortic anastomosis clamps

14-4172-21

14-4172-21



De Bakey
14-4173-17
17 cm/6¾"



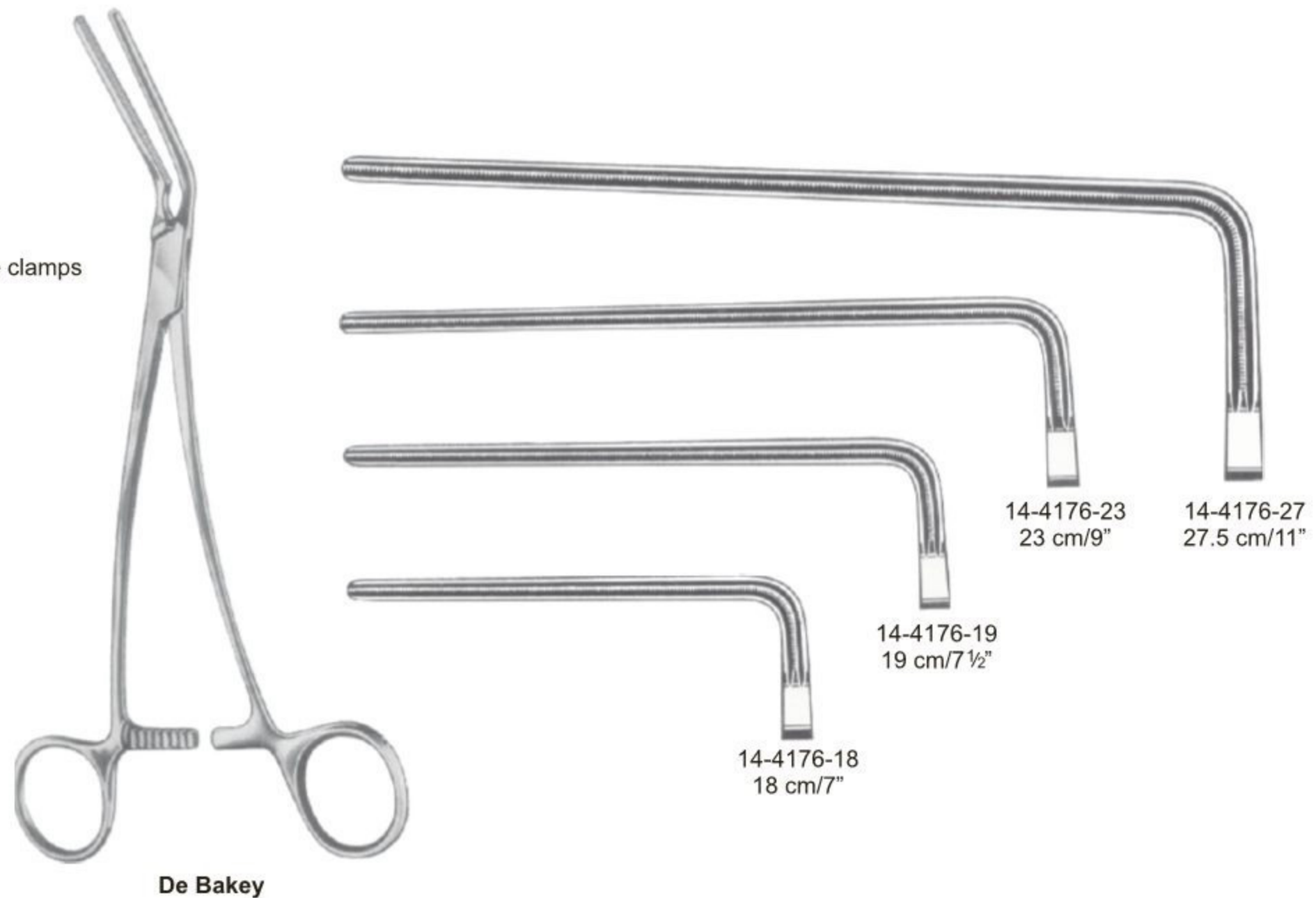
Beck
14-4174-17
17 cm/6¾"



De Bakey



Multi purpose clamps



De Bakey

- Atrauma Cardiovascular Forceps ●— EN
- Atrauma cardiovascular-klemmen ●— DE
- Atrauma pinzas-clamps cardiovasculares ●— ES



Aortic anastomosis clamps

Morris-De Bakey



14-4177-18
18 cm/7"

14-4177-20
20 cm/8"

14-4177-23
23 cm/9"

14-4177-25
25 cm/10"

Glover
14-4178-24
24.5 cm/9¾"

- EN —● Atrauma Cardiovascular Forceps
- DE —● Atrauma cardiovascular-klemmen
- ES —● Atrauma pinzas-clamps cardiovasculares

Aorta aneurysm clamps



De Bakey-Bahnson



De Bakey



14-4179-24
24.5 cm/9¾"



14-4179-25
25.5 cm/10"



14-4179-26
26.5 cm/10½"

Coarctation clamps



Straight	cm/in	Curved
14-4180-21	21.5 cm/8½"	14-4181-21
14-4180-23	23.0 cm/9"	14-4181-23
14-4180-27	27.0 cm/10½"	14-4181-27
14-4180-31	31.5 cm/12½"	14-4181-31

Multi purpose clamps



De Bakey



De Bakey-Rankin

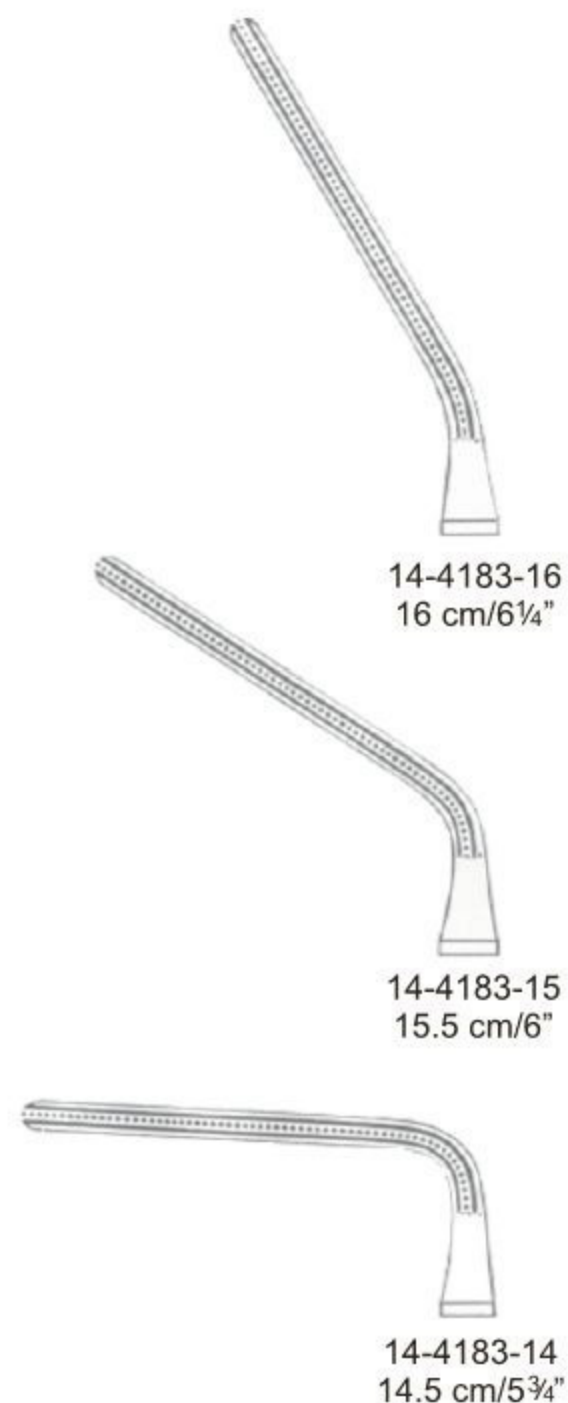


14-4182-16
16 cm/6¼"

14-4182-16
16 cm/6¼"



Cooley



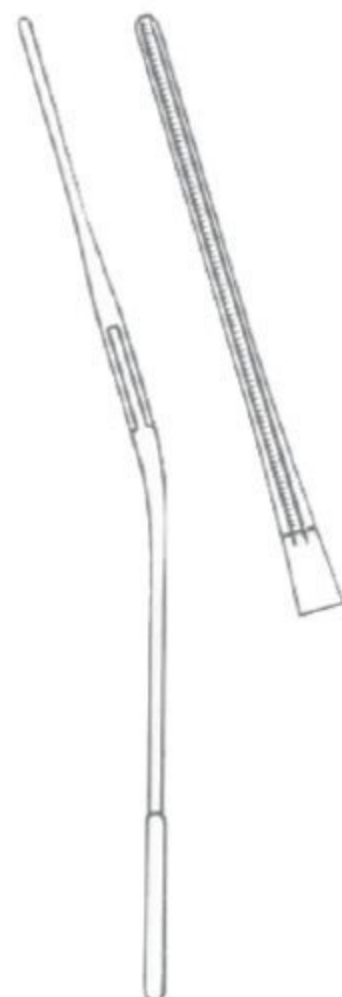
14-4183-16
16 cm/6¼"

14-4183-15
15.5 cm/6"

14-4183-14
14.5 cm/5¾"



De Bakey
14-4184-17
17 cm/6¾"



14-4185-17



14-4186-17

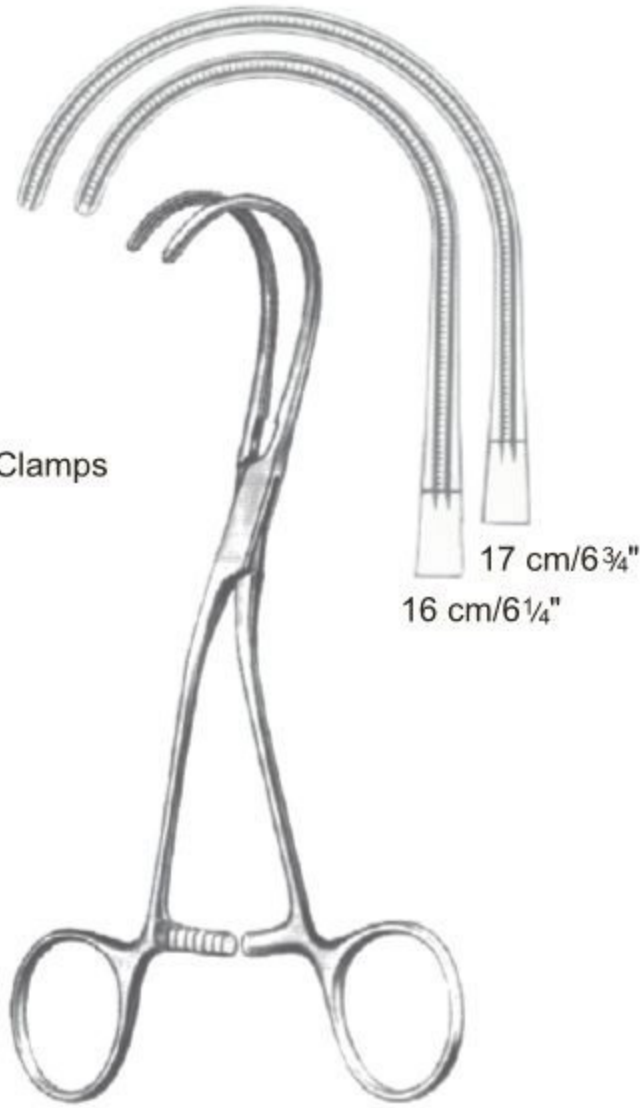


14-4187-17



De Bakey

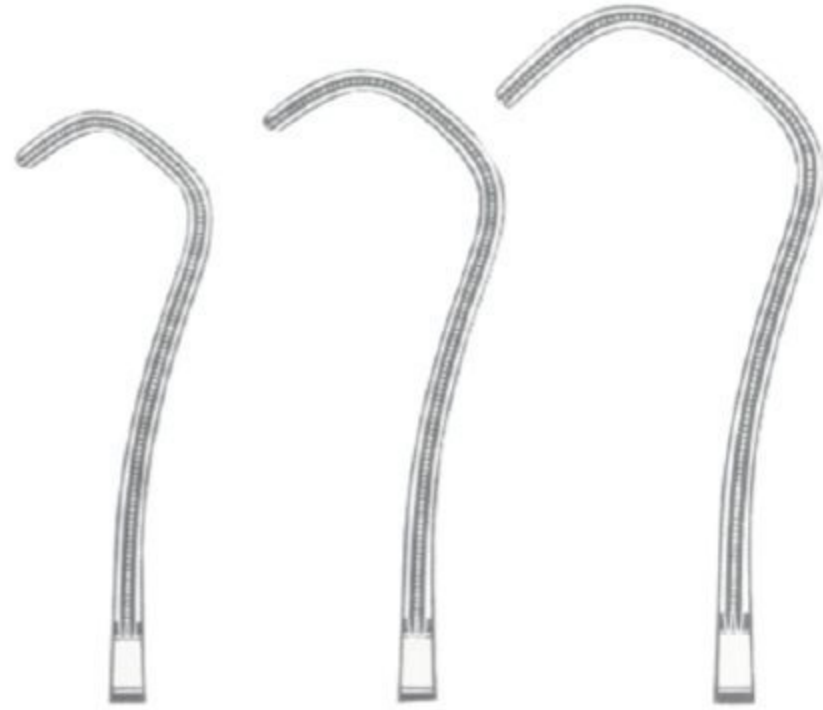
Ligature Clamps



14-4188-16 16cm/6¼"
 14-4188-17 17cm/6¾"



Derra-De Bakey
 17 cm/6¾"



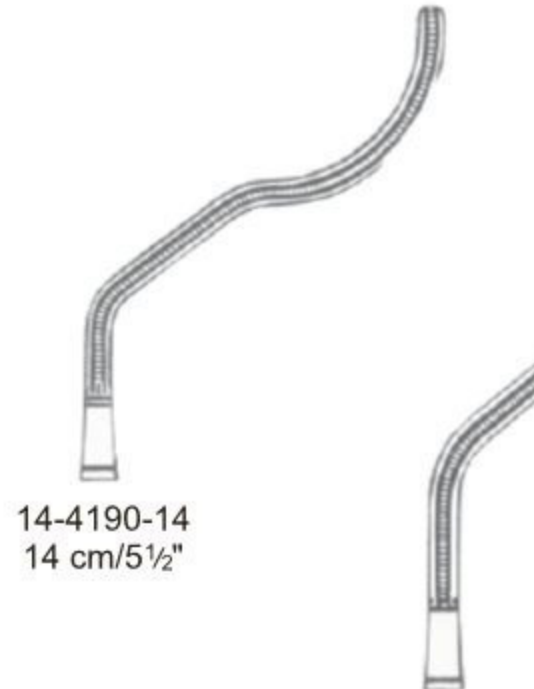
14-4189-01 14-4189-02 14-4189-03

Anastomosis Clamps

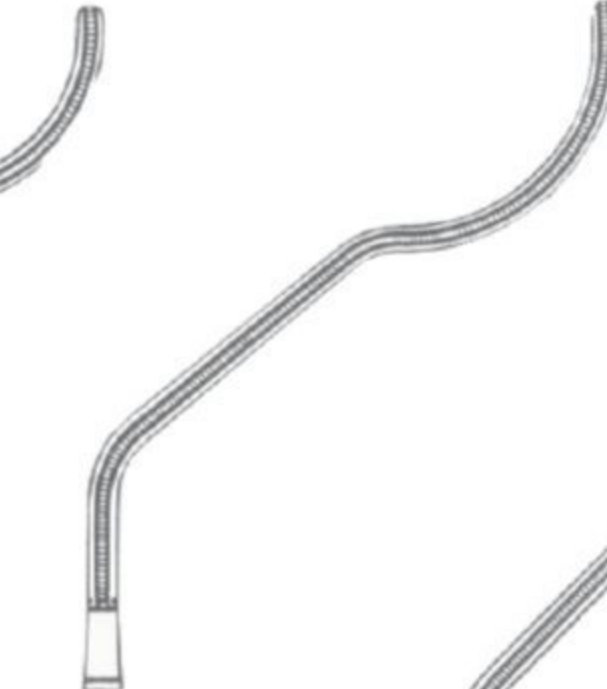
Profunda Clamps



Gregory



14-4190-14
 14 cm/5½"



14-4190-16
 16 cm/6¼"



14-4190-18
 18 cm/7"



Cooley

Coarctation Clamps



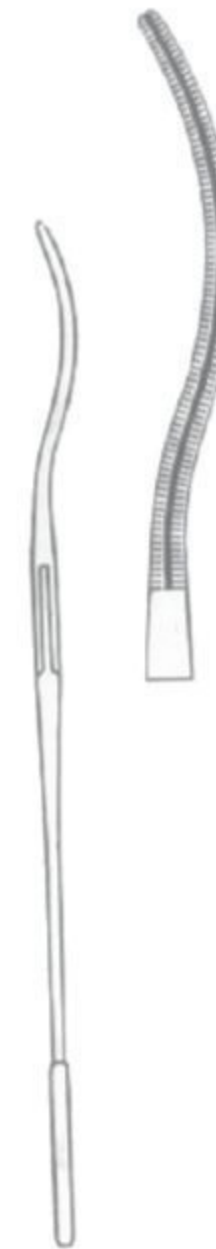
Cooley
 14-4191-17
 17 cm/6¾"



14-4192-17
 17 cm/6¾"



14-4193-17
 17 cm/6¾"



14-4194-17
 17 cm/6¾"



Cooley
14-4195-20
20 cm/8"



Cooley



Cooley



Cooley
14-4199-17
17 cm/6³ "



14-4196-03
17 cm/6³/₄"

14-4197-02
15.5 cm/6"



14-4198-01
15 cm/6"

Anastomosis clamps



Cooley



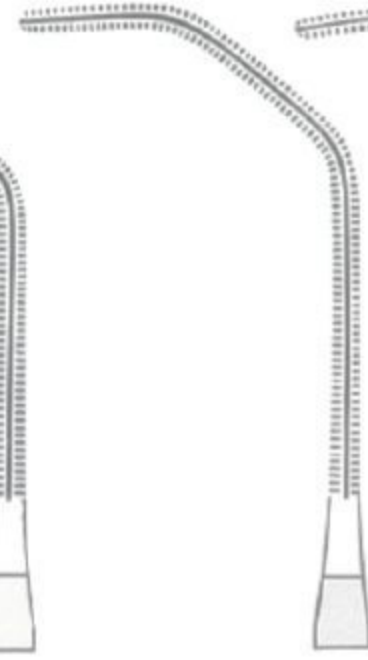
Cooley



14-4200-01
16.5 cm/6½"



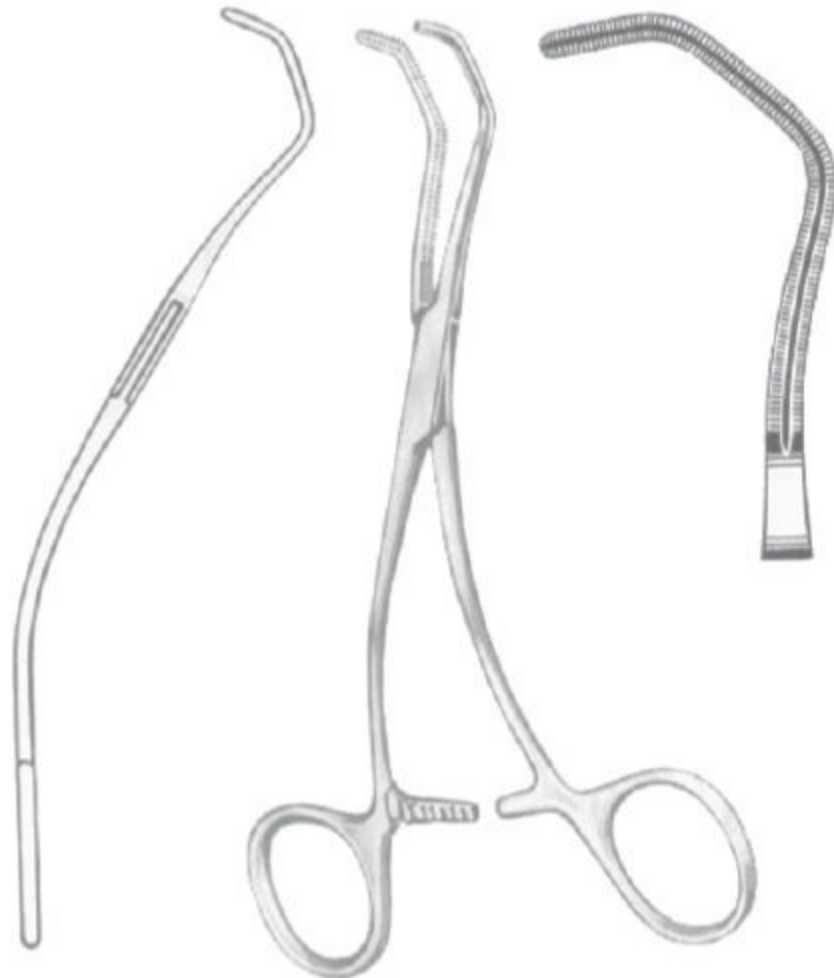
14-4200-02
16.5 cm/6½"



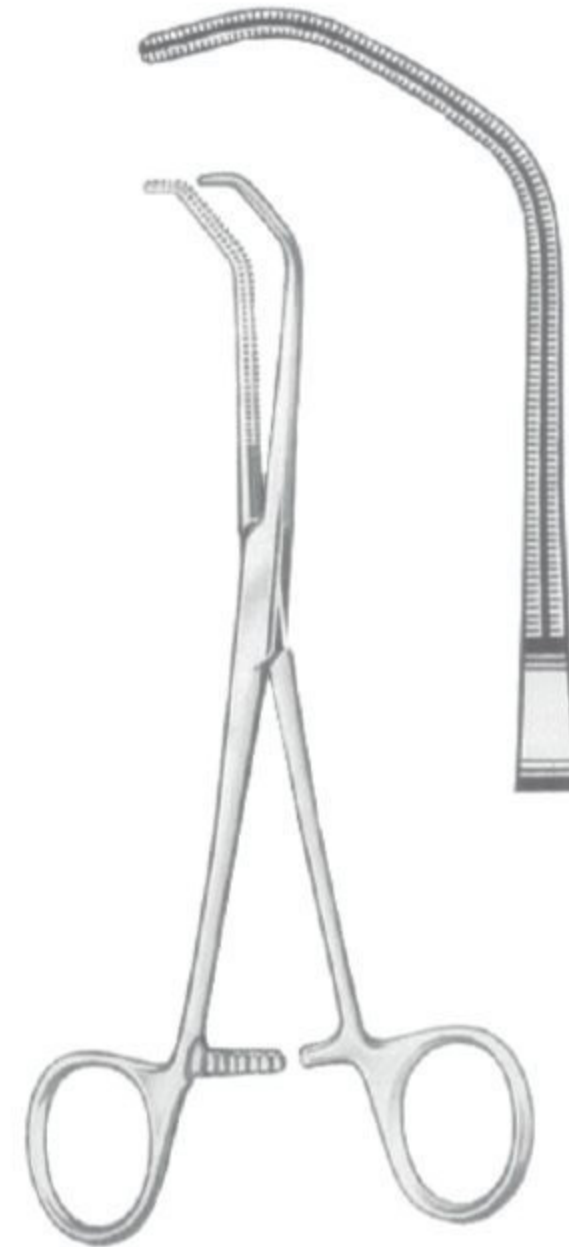
14-4200-03
17.5 cm/7"



29-0980714-4200
17.5 cm/7"



Cooley
14-4201-16
16 cm/6¼"



Beck
14-4202-17
17 cm/6¾"

- EN —● Atrauma Cardiovascular Forceps
- DE —● Atrauma cardiovascular-klemmen
- ES —● Atrauma pinzas-clamps cardiovasculares



Cooley



Cooley-Derra



14-4203-16
16 cm/6 1/4"



14-4203-17
17 cm/6 3/4"



14-4203-18
18 cm/7"



Cooley
14-4204-16 16 cm/6 1/4"
14-4204-17 17 cm/6 3/4"



17 cm/6 3/4"
16 cm/6 1/4"

Ligature clamps



Cooley



Cooley
14 cm/5½"



Cooley
14-4207-14
14 cm/5½"



Cooley
14-4208-14
14 cm/5½"



Cooley
14-4209-14
14 cm/5½"

- EN —● Suction Tubes and Tourniquets
- DE —● Saugrohre und Tourniquets
- ES —● Los tubos de succión y torniquetes



Cooley
14-4210-01
25 cm/10"



Cooley
14-4211-02
33 cm/13"



Cooley
14-4212-03
30 cm/12"



Cooley
14-4213-04
30 cm/12"



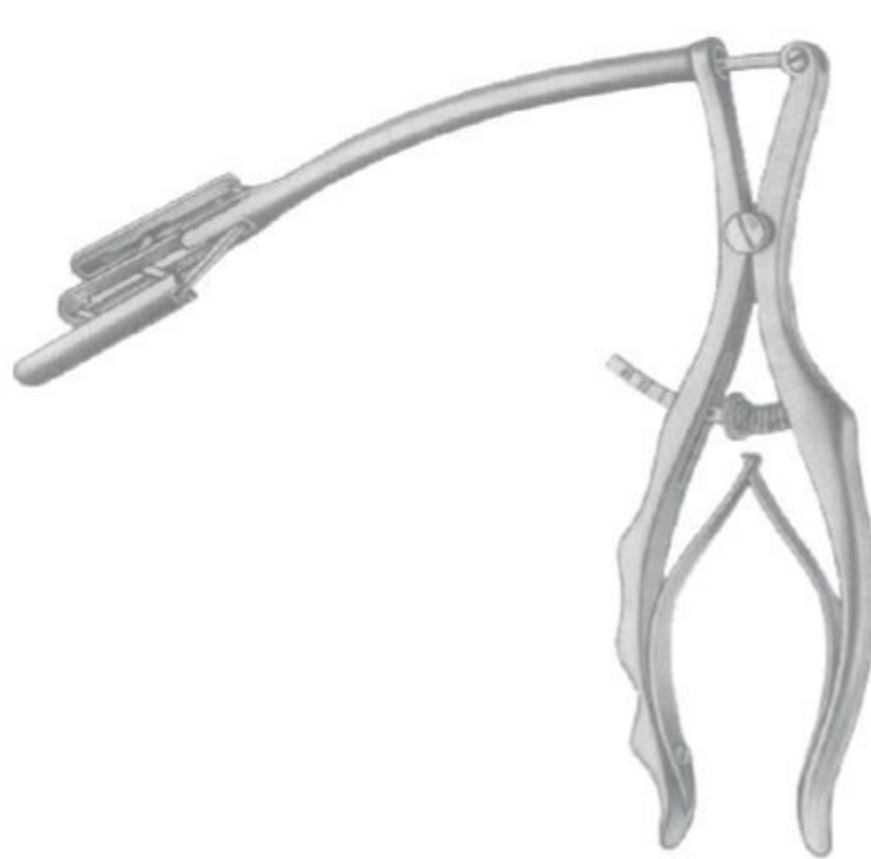
Cooley
14-4214-05
35 cm/13¾"

Tourniquets



Rumel-Belmont
14-4215-32 3.2 mm Ø
14-4215-64 6.4 mm Ø

Dilators ● EN
Dilatatoren ● DE
Dilatadores ● ES



Cooley
14-4216-00



Gerbode
14-4217-00



Tubbs
14-4218-00



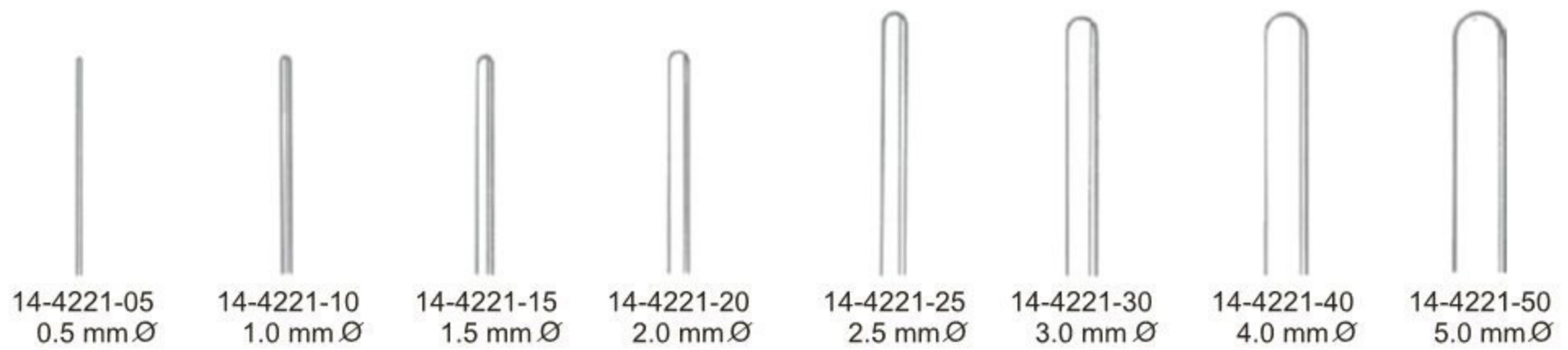
De Bakey

mm Ø	19 cm/7 1/2"	35 cm/14"
0.5	14-4219-05	14-4220-05
1.0	14-4219-10	14-4220-10
1.5	14-4219-15	14-4220-15
2.0	14-4219-20	14-4220-20
2.5	14-4219-25	14-4220-25
3.0	14-4219-30	14-4220-30
3.5	14-4219-35	14-4220-35
4.0	14-4219-40	14-4220-40
4.5	14-4219-45	14-4220-45
5.0	14-4219-50	14-4220-50
7.0	14-4219-70	14-4220-70
9.0	14-4219-90	14-4220-90

Malleable



Cooley
13 cm/5"



Rib Shears, Sternum Scissors and Sternum Chisels ● EN

Rippenscheren, Sternumschere, Sternummeißel ● DE

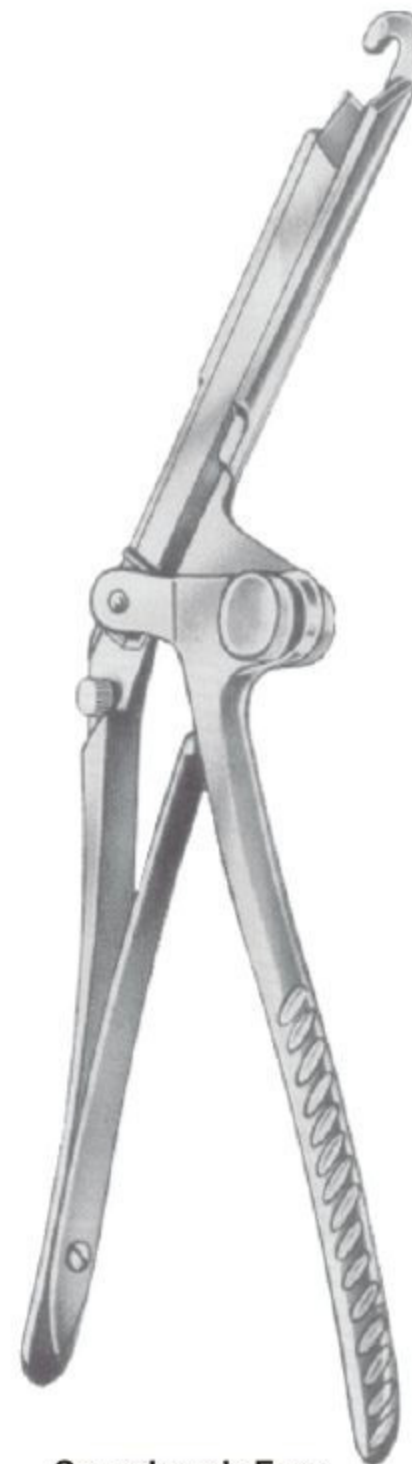
Costótomos, Tijera de esternón, cincel de esternón ● ES



Sauerbruch
14-4222-24 24 cm/9½"
14-4222-26 26 cm/10¼"



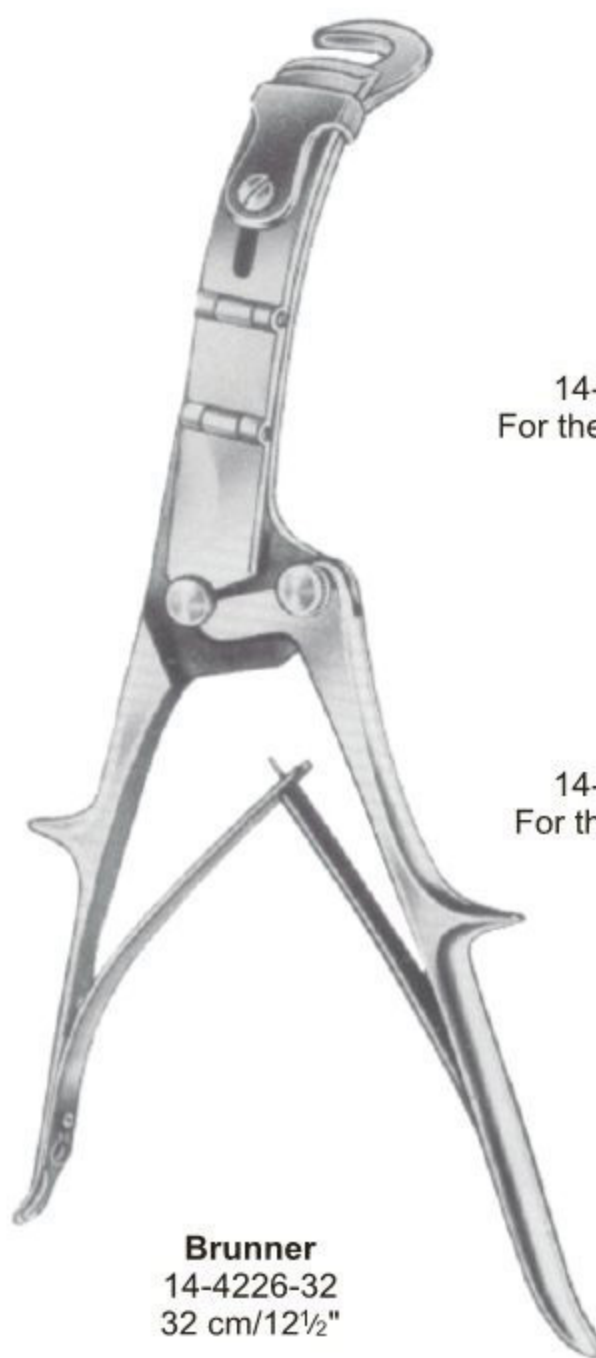
Giertz-Stille
14-4223-27
27 cm/10½"



Sauerbruch-Frey
14-4224-36
36 cm/14"



Bethune
14-4225-34
34 cm/13½"



Brunner
14-4226-32
32 cm/12½"

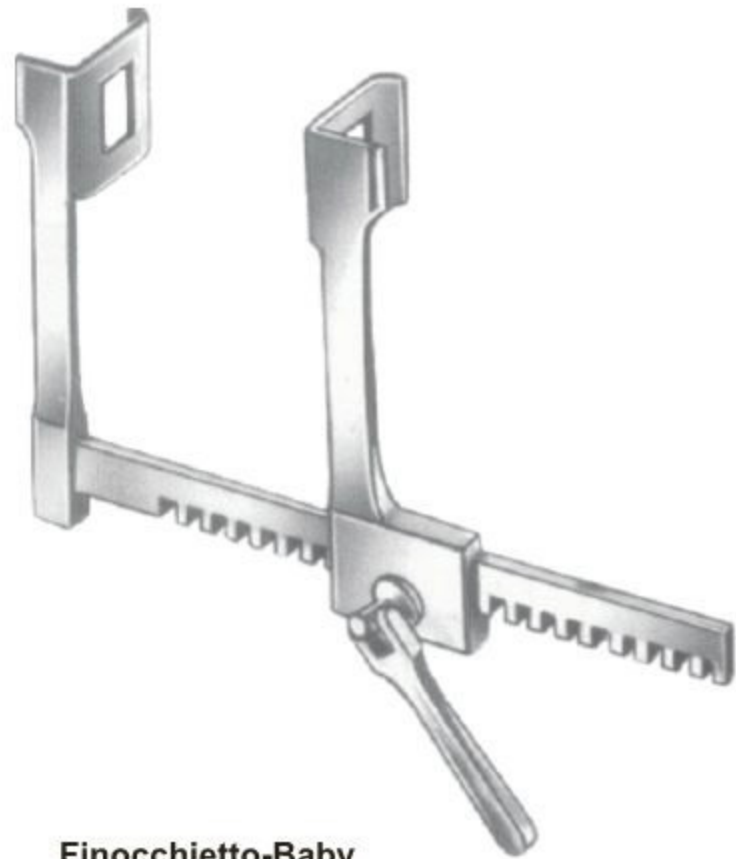
14-4226-32
For the Right Hand

14-4227-32
For the left Hand



Lebsche
14-4228-24
24.5 cm/9¾"

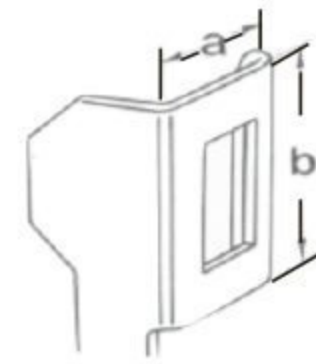
- EN —● Rib Spreaders
- DE —● Rippensperrer
- ES —● Separadores costales



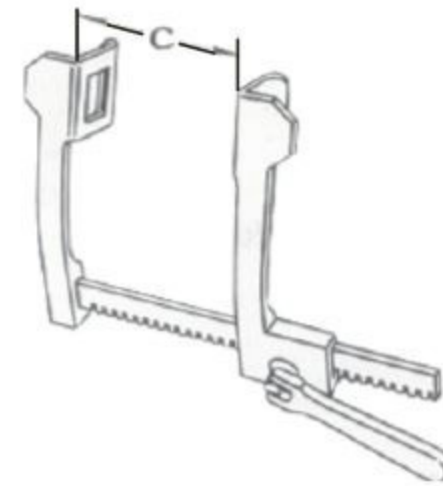
Finocchietto-Baby

	a	b	c
14-4229-00	18 mm	21 mm	105 mm

Scheme of Dimensions



Size of Blades



Total Spread

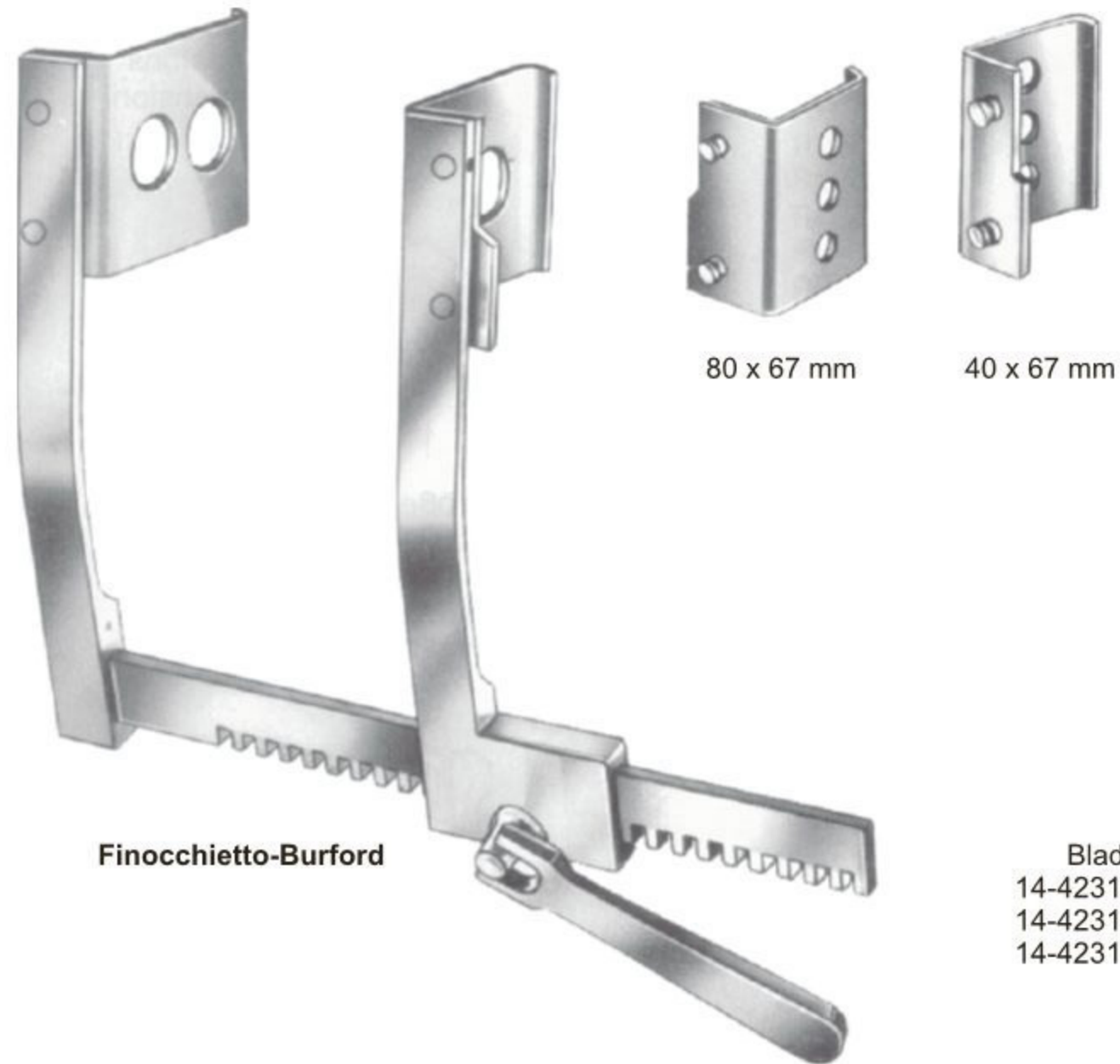


Finocchietto

	a	b	c
14-4230-01	36 mm	45 mm	165 mm
14-4230-02	44 mm	65 mm	200 mm
14-4230-03	44 mm	65 mm	250 mm
14-4230-04	44 mm	65 mm	300 mm
14-4230-05	65 mm	65 mm	200 mm
14-4230-06	65 mm	65 mm	250 mm
14-4230-07	65 mm	65 mm	300 mm

- Rib Spreaders ●— EN
- Rippensperrer ●— DE
- Separadores costales ●— ES

With 2 Pairs of Interchangeable Blades



Finocchietto-Burford

Blade Opening
 14-4231-01 200 mm/8"
 14-4231-02 250 mm/10"
 14-4231-03 305 mm/12"

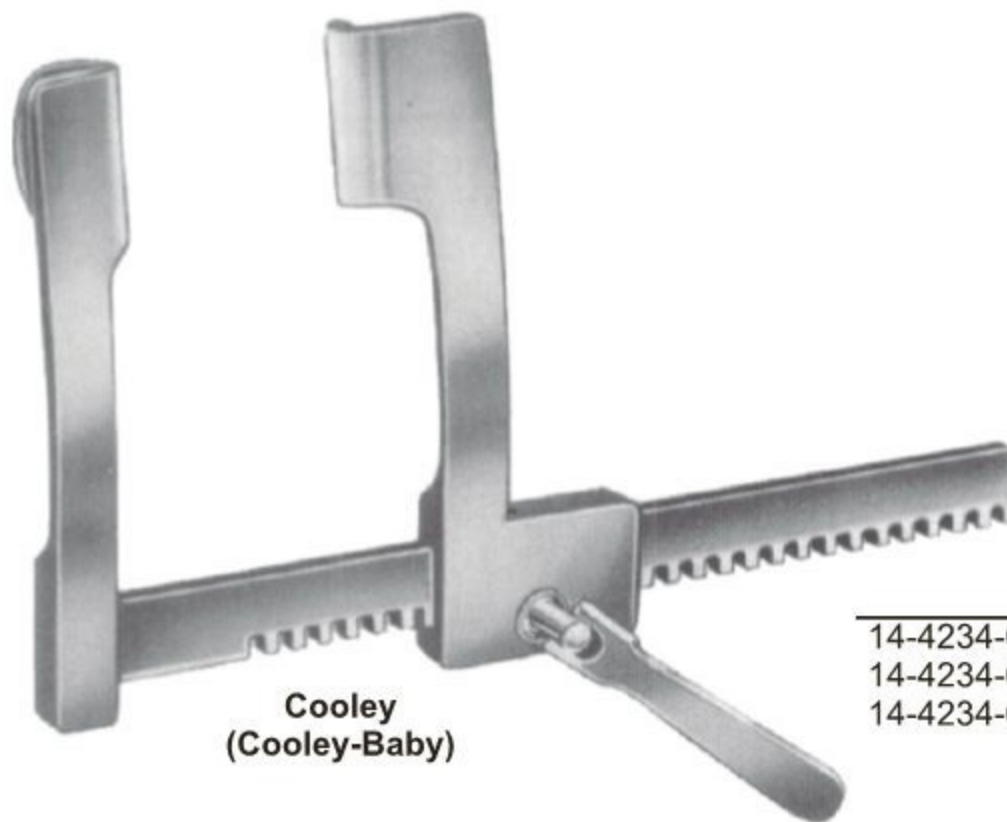


Tuffier



Haight

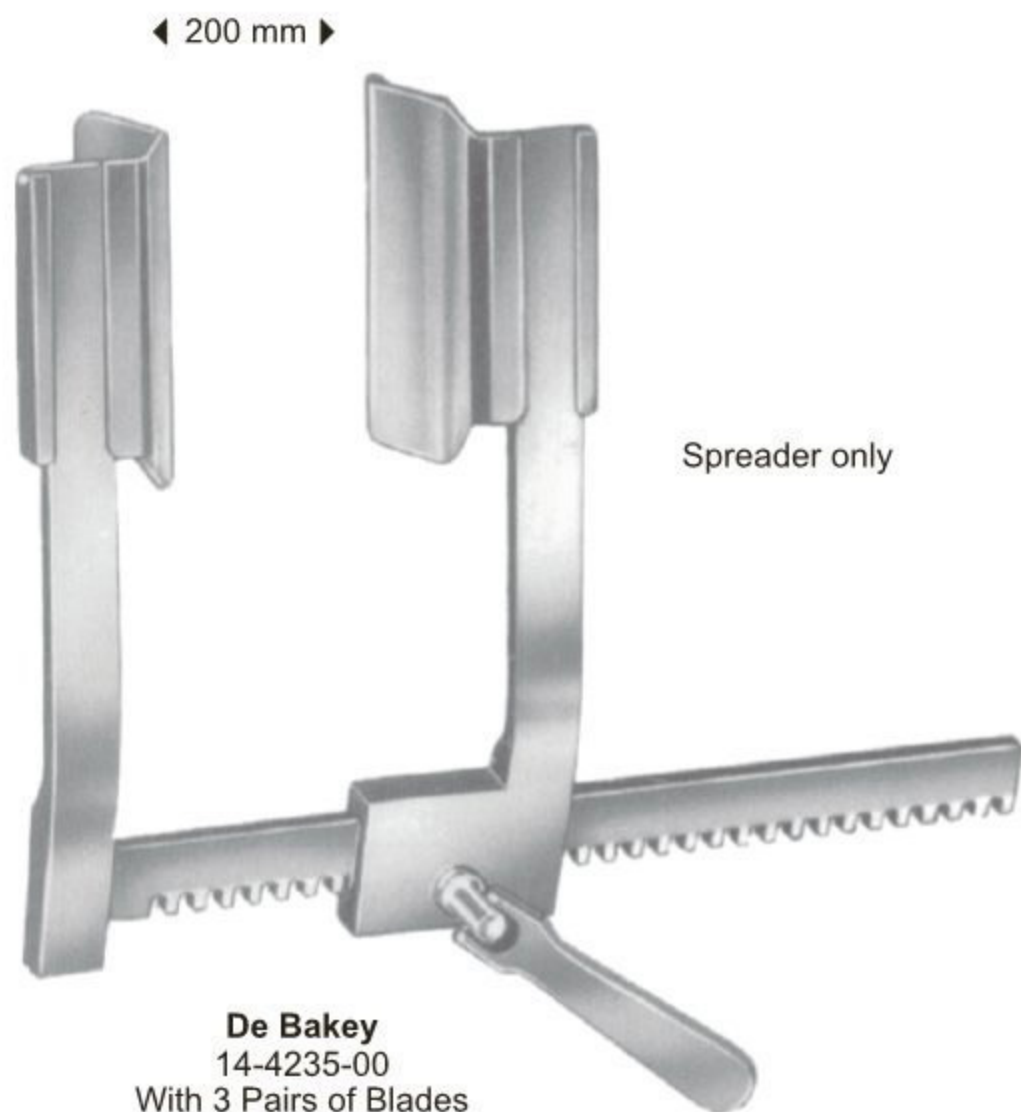
	a	b	c
14-4233-00	30 mm	30 mm	115 mm



**Cooley
(Cooley-Baby)**

	a	b	c
14-4234-01	15 mm	30 mm	75 mm
14-4234-02	21 mm	45 mm	145 mm
14-4234-03	32 mm	50 mm	190 mm

Rib Spreaders ● EN
 Rippensperrer ● DE
 Separadores costales ● ES



De Bakey
 14-4235-00
 With 3 Pairs of Blades
 14-4235-01
 14-4235-02
 14-4235-03

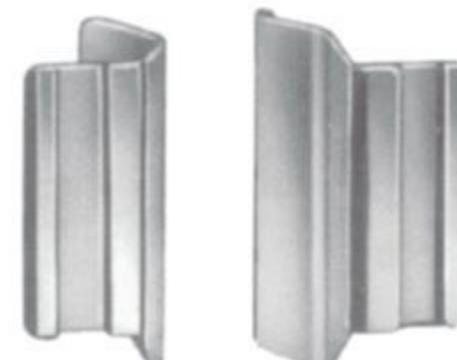
Spreader only



14-4235-01
 60 x 60 mm



14-4235-02
 50 x 80 mm



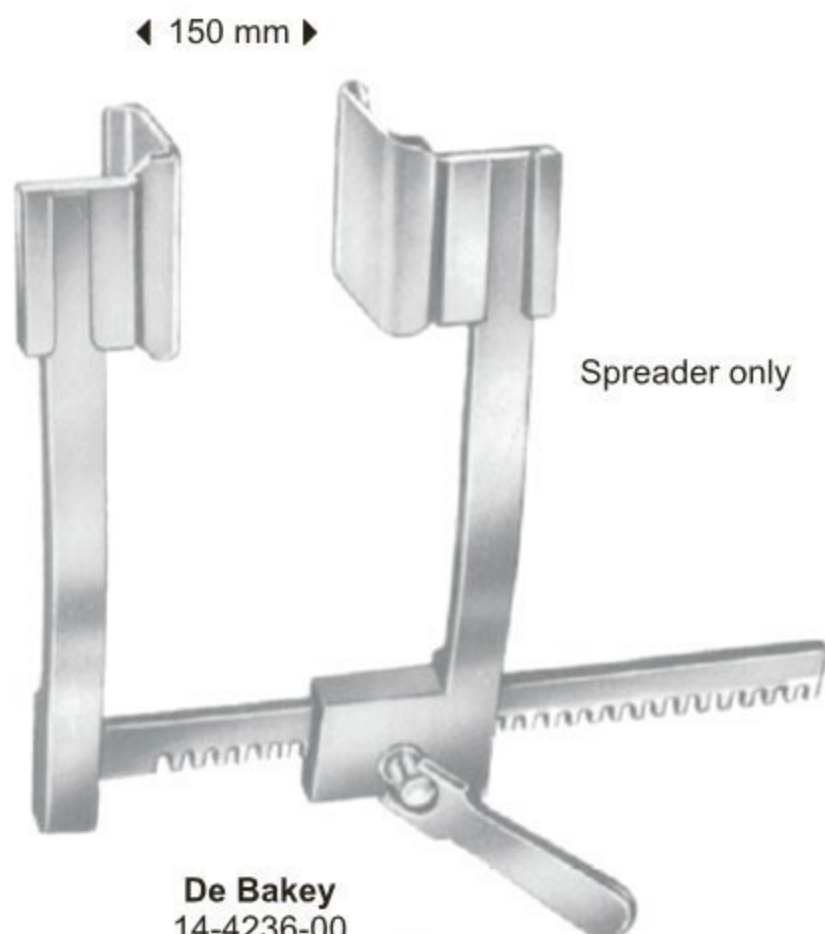
14-4235-03
 40 x 100 mm



14-4235-04
 80 x 60 mm



14-4235-05
 50 x 66 mm



De Bakey
 14-4236-00
 With 3 Pairs of Blades

Spreader only



14-4236-01
 30 x 30 mm



14-4236-02
 40 x 40 mm



14-4236-03
 50 x 50 mm

◀ Fig. 1 15 cm/6" ▶
 ▶ Fig. 2 20 cm/8" ▶



Morse-Favaloro
 Fig. 1 14-4237-01
 Fig. 2 14-4237-02

75 x 75 mm

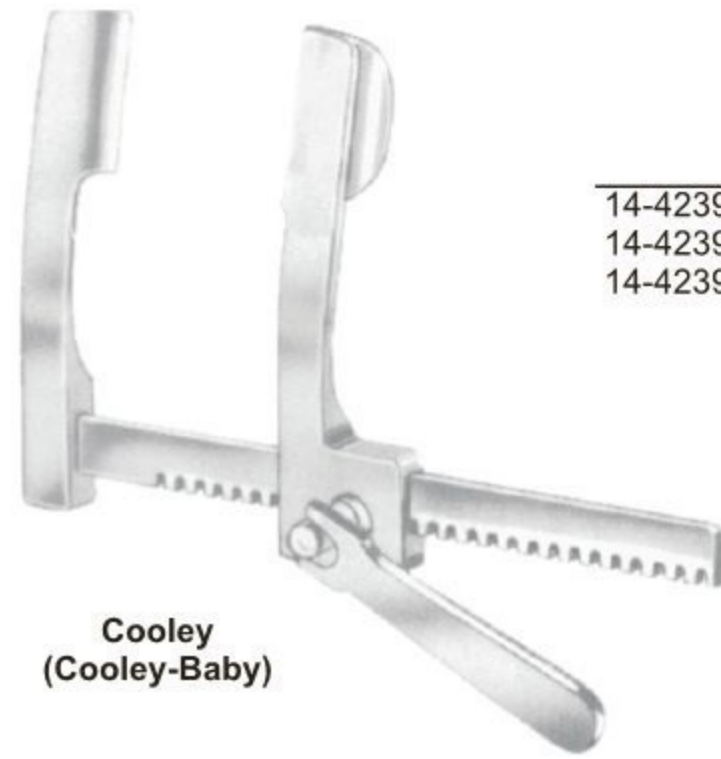
42 x 65 mm

Thoracic Retractor



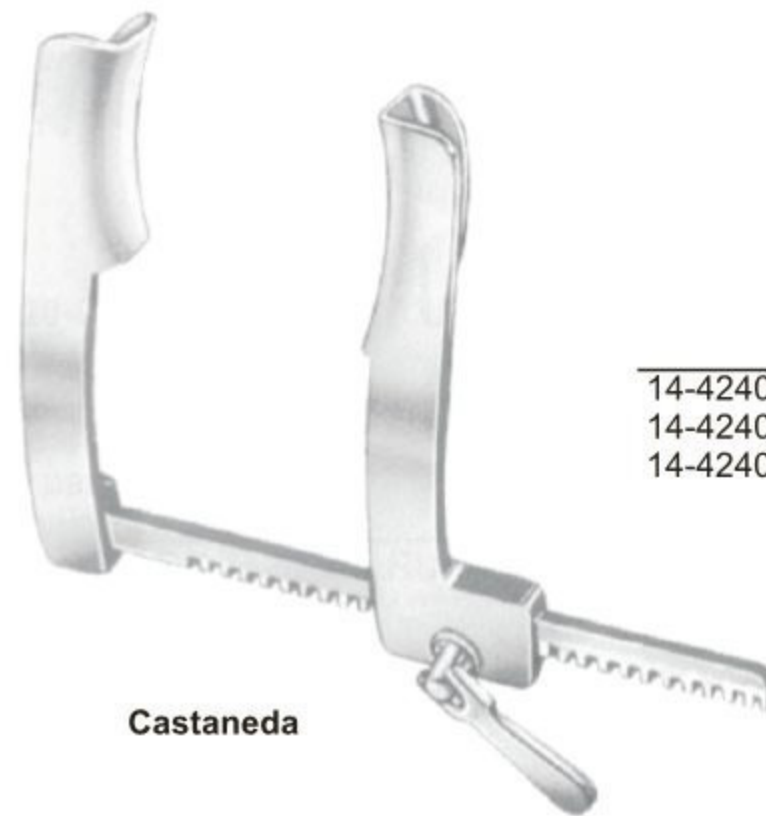
(Mercedes-Retractor)
 14-4238-00
 Complete

Rib Spreaders ●— EN
 Rippensperrer ●— DE
 Separadores costales ●— ES



	a	b	c
14-4239-01	12 mm	17 mm	75 mm
14-4239-02	16 mm	30 mm	105 mm
14-4239-03	37 mm	49 mm	200 mm

Cooley
(Cooley-Baby)



	a	b	c
14-4240-01	10.5 mm	32 mm	65 mm
14-4240-02	12 mm	45 mm	70 mm
14-4240-03	15 mm	60 mm	120 mm

Castaneda



	a	b	c
14-4241-01	15 mm	15 mm	75 mm
14-4241-02	31 mm	31 mm	100 mm
14-4241-03			

Finocchietto-Baby-Haight

- EN —● Rib Spreaders
- DE —● Rippensperrer
- ES —● Separadores costales



Finocchetto

	a	b	c
14-4242-01	38 mm	44 mm	135 mm
14-4242-02	52 mm	62 mm	135 mm
14-4242-03	85 mm	65 mm	135 mm



Burford
With 2 Pairs of Blades

For Child	a	b	c
	48 mm	42 mm	135 mm
14-4243-00	34 mm	42 mm	135 mm
14-4243-01	65 mm	62 mm	180 mm
	47 mm	62 mm	
14-4243-02	65 mm	62 mm	260 mm
	47 mm	62 mm	
14-4243-03	65 mm	62 mm	300 mm
	47 mm	62 mm	



Lemmon
 14-4244-18
 18 cm/7"



Sellors
 14-4245-19
 19 cm/7½"



Bailey-Baby
 14-4246-14
 14 cm/5½"



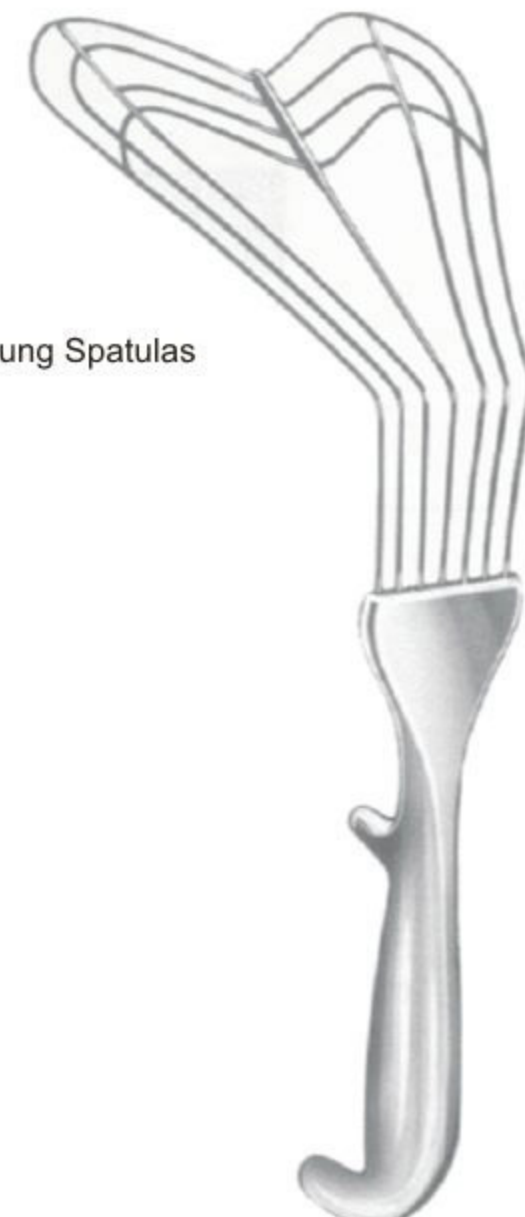
Bailey
 14-4247-16
 16 cm/6¼"



Bailey-Gibbon
 14-4248-16
 16 cm/6¼"



Allison
 14-4249-25 25.5 cm/10"
 14-4249-30 30.0 cm/12"



Lung Spatulas

14-4250-30
 30 cm/12"